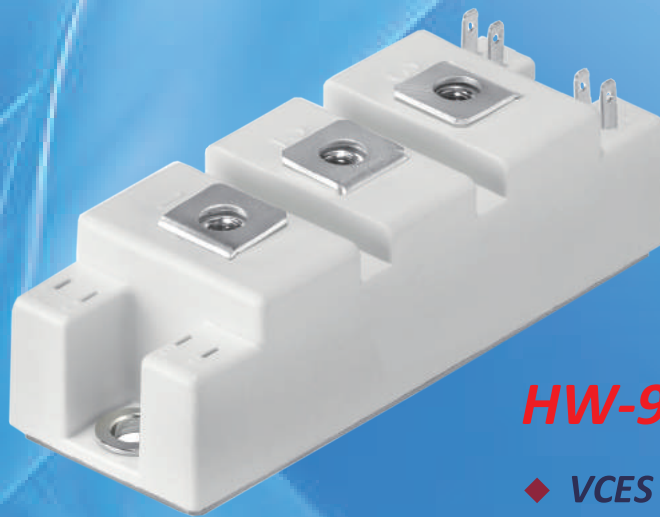


IGBT

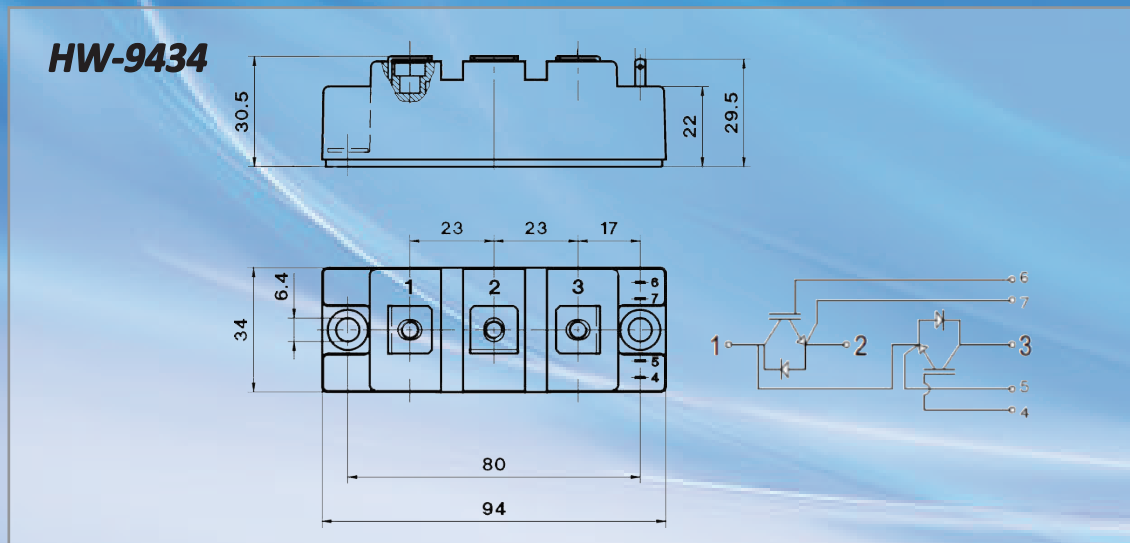


HW-9434

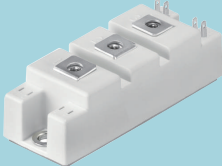
- ◆ $V_{CES} = 600V-1200V$
- ◆ $I_C(@25^{\circ}C) = 50A-200A$
- ◆ $V_{CE(SAT)} Typ. = 1.45V-2.1V$

Package Outline

Dimensions in mm



IGBT

Part No.	VCES	IC@25°C	VCE(SAT)	Outline
	V		Typ.	
		A	V	
DAGFH50600	600	50	1.45	 HW-9434 Half bridge
DAGFH75600	600	75	1.45	
DAGFH100600	600	100	1.45	
DAGFH150600	600	150	1.45	
DAGFH200600	600	200	1.45	
DAGFH501200	1200	50	1.75	
DAGFH751200	1200	75	1.75	
DAGFH1001200	1200	100	1.75	
DAGFH1501200	1200	150	1.75	
DAGNH50600	600	50	2.1	
DAGNH75600	600	75	2.1	
DAGNH100600	600	100	2.1	
DAGNH150600	600	150	2.1	
DAGNH200600	600	200	2.1	
DAGNH501200	1200	50	2.3	
DAGNH751200	1200	75	2.3	
DAGNH1001200	1200	100	2.3	
DAGNH1501200	1200	150	2.4	

Applications



- ◆ Battery, BMS
- ◆ Boat, Cruiser
- ◆ Charger
- ◆ Converter
- ◆ Electric Vehicles
- ◆ ESS
- ◆ Golf Cars
- ◆ HS Railroad
- ◆ Inverter
- ◆ Lifter
- ◆ Medical Machines
- ◆ Military
- ◆ Motor Driver
- ◆ Power supplies
- ◆ Solar & Wind
- ◆ Synchronous Rectifiers
- ◆ Transportation
- ◆ UAV
- ◆ Welding

We do customer design too!!



Please visit our web for more information!

www.dacosemi.com.tw